

General Purpose Solenoid Valve

Plastic Body | 2-Way Semi-Direct Acting | 1/2" to 2"



Features

- Provides on/off control of inert liquids and gases
- Fast-acting response time
- Gravity feed capable; ideal for low pressure fluid
- Can be mounted vertically or horizontally
- Durable PA66 construction suitable for water and other neutral media
- Suitable for general utility, commercial and residential applications

Materials of Construction

Valve Parts	Material
Body	Engineered Nylon Plastic (PA66)
Components	Stainless Steel
Seal	EPDM Diaphragm
Shading Ring	Copper

*Consult a chemical compatibility expert for correct seal and valve body material choice.
 **A pre-filter is always recommended to keep the diaphragm free from the debris and valve functioning properly

Industrial Applications

- General Water Utility Control
- Humidifiers (non-potable applications)
- Water Sprinkler System (non-fire protection)
- Industrial Cleaning and Washing
- Water Treatment and Filtration Equipment
- Process Water Distribution
- Fluid Control and Dosing System

*These are not intended for use in medical life support, combustion, aviation, aerospace, automotive or similar applications

Electrical Data

Pipe Size (in)	Power Rating (Holding)					Coil Connection		Protection Class	
	AC, 60 Hz VA			DC Watts		NC	NO	NC	NO
	24V	110V	220V	12V	24V				
1/2	20			20		DIN 43650A	NO	NEMA 4 / IP 65	NO
3/4	20			20					
1	40			32					
1 1/2	36			38					
2	36			38					

- (1) NC - Normally Closed; NO - Normally Open
- (2) Valves are suitable for continuous energization (100% duty cycle) within rated voltage and ambient temperature limits
- (3) AC power ratings shown represent steady state (Holding) VA at rated voltage, 50/60 Hz, and 40 °C ambient temperature
- (4) Electrical values are nominal with a tolerance of ±10 % unless otherwise specified

Approvals

- CE certified for EMC Compliance. Meets EN 61000-6-3:2007 + A1:2011 and EN 61000-6-1:2007
- RoHS compliant in accordance with Directive 2011/65/EU

Specifications

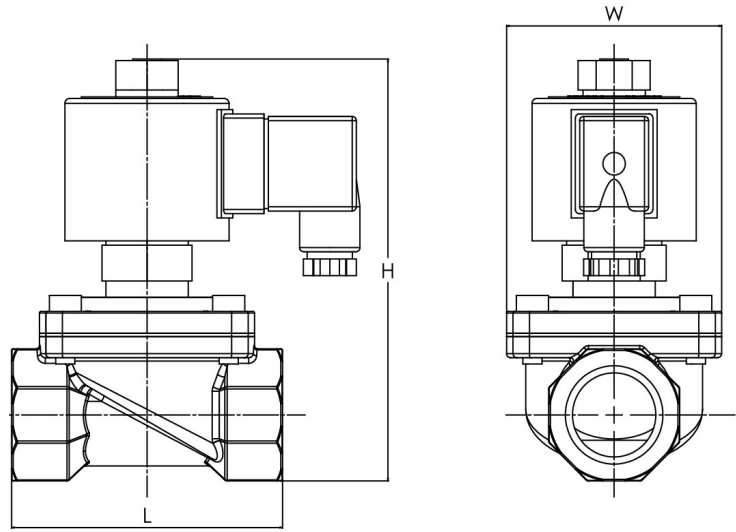
Pipe Connection		Orifice (mm)	Flow Coefficient Value Cv	Flow Rate GPM @60 PSI	Operating Pressure (psi)					Operating Temperature (°F)	
Size (in)	Thread Connection				Min	Max			Min	Max	
						AC					DC
			24V	110V	220V	12V	24V				
NORMALLY CLOSED (NC)											
1/2	NPT - Female	15	4.8	36	0	100		90	15	175	
3/4	NPT - Female	20	7.6	58	0	100		90	15	175	
1	NPT - Female	25	12.0	92	0	100		90	15	175	
1 1/2	NPT - Female	40	30.0	220	0	90		75	15	175	
2	NPT - Female	50	48.0	345	0	90		75	15	175	
NORMALLY OPEN (NO)											
1/2	NPT - Female	15	4.8	36	0	90		90	15	175	
3/4	NPT - Female	20	7.6	58	0	90		90	15	175	
1	NPT - Female	25	12.0	92	0	90		90	15	175	
1 1/2	NPT - Female	40	30.0	220	0	60		60	15	175	
2	NPT - Female	50	48.0	345	0	60		60	15	175	

General Purpose Solenoid Valve

Plastic Body | 2-Way Semi-Direct Acting | 1/2" to 2"

Dimension

Pipe Size (in)	Dimension (in)			Weight (lb)
	H	L	W	
NORMALLY CLOSED (NC)				
1/2	4.21	2.99	2.68	1.10
3/4	4.37	3.15	2.68	1.10
1	4.61	4.21	3.23	1.33
1 1/2	6.70	5.51	4.41	2.88
2	7.48	6.26	5.12	3.31
NORMALLY OPEN (NO)				
1/2	4.76	2.99	2.68	1.33
3/4	4.92	3.15	2.68	1.33
1	5.12	4.21	3.23	1.54
1 1/2	7.09	5.51	7.10	2.43
2	7.68	6.26	7.95	2.88



- (1) Weight and dimension may vary slightly from production
- (2) Dimension shown are nominal and provided for reference only
- (3) Dimension tolerance: ± 5% unless otherwise specified
- (4) H = Overall Height, L = Port to Port Length, W = Overall Width

Product Ordering Code

P	SL	-	15	K	-	110V	AC																																										
VALVE BODY MATERIAL <table border="1" style="width: 100%; border-collapse: collapse;"> <thead> <tr> <th>CODE</th> <th>DESCRIPTION</th> </tr> </thead> <tbody> <tr> <td>P</td> <td>ENGINEERED NYLON PLASTIC (PA66)</td> </tr> </tbody> </table>	CODE	DESCRIPTION	P	ENGINEERED NYLON PLASTIC (PA66)	VALVE SERIES <table border="1" style="width: 100%; border-collapse: collapse;"> <thead> <tr> <th>CODE</th> <th>DESCRIPTION</th> </tr> </thead> <tbody> <tr> <td>SL</td> <td>SL SERIES</td> </tr> </tbody> </table>	CODE	DESCRIPTION	SL	SL SERIES		PIPE SIZE <table border="1" style="width: 100%; border-collapse: collapse;"> <thead> <tr> <th>CODE</th> <th>DESCRIPTION</th> </tr> </thead> <tbody> <tr> <td>15</td> <td>1/2" (DN15)</td> </tr> <tr> <td>20</td> <td>3/4" (DN20)</td> </tr> <tr> <td>25</td> <td>1" (DN25)</td> </tr> <tr> <td>40</td> <td>1 1/2" (DN40)</td> </tr> <tr> <td>50</td> <td>2" (DN50)</td> </tr> </tbody> </table>	CODE	DESCRIPTION	15	1/2" (DN15)	20	3/4" (DN20)	25	1" (DN25)	40	1 1/2" (DN40)	50	2" (DN50)	VALVE TYPE <table border="1" style="width: 100%; border-collapse: collapse;"> <thead> <tr> <th>CODE</th> <th>DESCRIPTION</th> </tr> </thead> <tbody> <tr> <td>K</td> <td>NORMALLY OPEN (NO)</td> </tr> <tr> <td>(BLANK)</td> <td>NORMALLY CLOSED (NC)</td> </tr> </tbody> </table>	CODE	DESCRIPTION	K	NORMALLY OPEN (NO)	(BLANK)	NORMALLY CLOSED (NC)		VOLTAGE USED <table border="1" style="width: 100%; border-collapse: collapse;"> <thead> <tr> <th>CODE</th> <th>DESCRIPTION</th> </tr> </thead> <tbody> <tr> <td>12V</td> <td>12V</td> </tr> <tr> <td>24V</td> <td>24V</td> </tr> <tr> <td>110V</td> <td>110V</td> </tr> <tr> <td>220V</td> <td>220V</td> </tr> </tbody> </table>	CODE	DESCRIPTION	12V	12V	24V	24V	110V	110V	220V	220V	TYPE OF CURRENT <table border="1" style="width: 100%; border-collapse: collapse;"> <thead> <tr> <th>CODE</th> <th>DESCRIPTION</th> </tr> </thead> <tbody> <tr> <td>AC</td> <td>ALTERNATING CURRENT</td> </tr> <tr> <td>DC</td> <td>DIRECT CURRENT</td> </tr> </tbody> </table>	CODE	DESCRIPTION	AC	ALTERNATING CURRENT	DC	DIRECT CURRENT
CODE	DESCRIPTION																																																
P	ENGINEERED NYLON PLASTIC (PA66)																																																
CODE	DESCRIPTION																																																
SL	SL SERIES																																																
CODE	DESCRIPTION																																																
15	1/2" (DN15)																																																
20	3/4" (DN20)																																																
25	1" (DN25)																																																
40	1 1/2" (DN40)																																																
50	2" (DN50)																																																
CODE	DESCRIPTION																																																
K	NORMALLY OPEN (NO)																																																
(BLANK)	NORMALLY CLOSED (NC)																																																
CODE	DESCRIPTION																																																
12V	12V																																																
24V	24V																																																
110V	110V																																																
220V	220V																																																
CODE	DESCRIPTION																																																
AC	ALTERNATING CURRENT																																																
DC	DIRECT CURRENT																																																

EXAMPLE:

PSL-15K-110VAC indicates an engineered nylon plastic (PA66) body SL series valve, 1/2" NPT-Female, normally open configuration with 110V AC coil